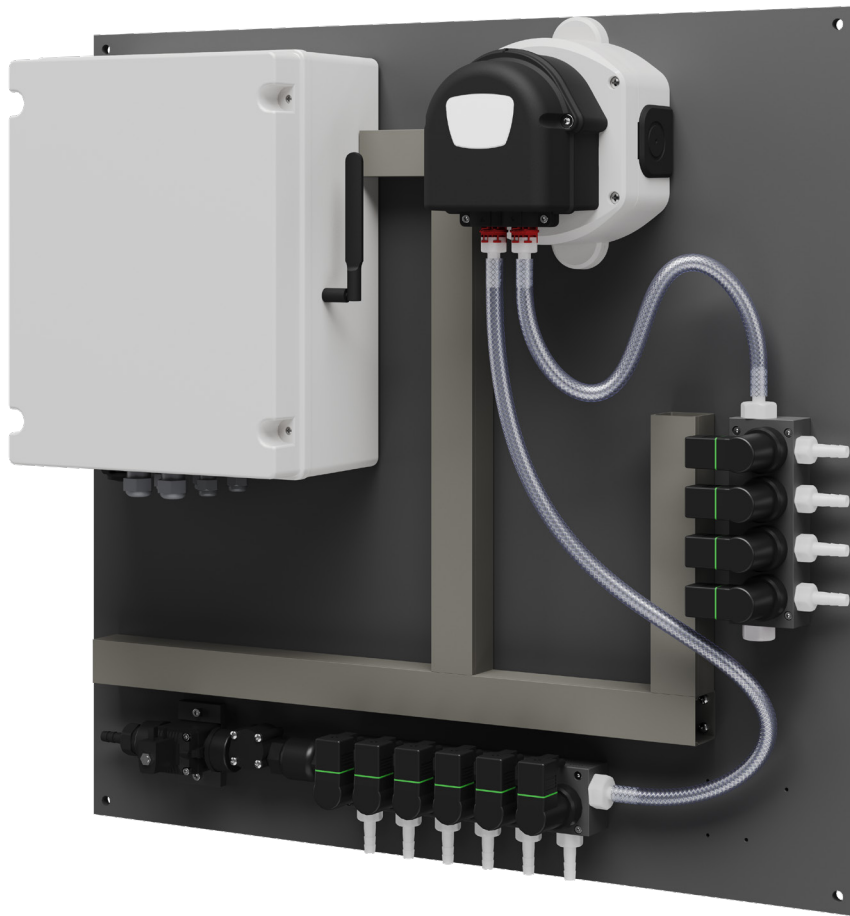


# BRIGHTWELL



## MULTIPLY 1

INDUSTRIAL LAUNDRY DOSING SYSTEM  
(ELECTRIC)

INSTALLATION - SETUP - MAINTENANCE



# CONTENTS

GENERAL INFORMATION	3
TECHNICAL INFORMATION	5
MAIN UNIT	6
INSTALLATION AND CONNECTIONS	7
MOUNTING YOUR MULTIPLEX UNIT	9
CHEMICAL CONNECTION	11
BOOSTER TANK CONNECTION (OPTIONAL)	13
WIRING POWER FOR THE MULTIPLEX UNIT	14
PCB CONNECTIONS FOR YOUR SIGNAL BOX	15
SIGNAL BOX CONNECTOR WIRING GUIDE	16
COMMS WIRING SIGNAL BOX	19
ELECTRICAL WIRING SUCTION RODS	20
CONNECTING YOUR UNIT TO THE INTERNET	21
ELECTRICAL CONNECTION TO EXTERNAL ALARM	22
ELECTRICAL CONNECTION EMERGENCY STOP	23
REPLACING A VALVE ON YOUR MULTIPLEX SYSTEM	24
MAINTENANCE	26

# GENERAL INFORMATION

## SAFETY INFORMATION



Wear protective clothing, gloves and safety glasses when installing our equipment or when handling chemicals. Follow the chemical manufacturer's guidelines for safety advice.



During maintenance work, depower the equipment whenever possible. Be aware of possible chemical residues that may remain on the various components of the equipment. Please flush the equipment with water before carrying out any work.

For information on the products used in this dispensing equipment, refer to the product label and the appropriate Material Safety Data Sheet (MSDS).



Caution! Risk of high voltage electric shock.



Electrical installation should only be carried out by trained personnel and in accordance with local electrical wiring regulations. Disconnect power to the unit and isolate it from any electrical source before servicing.



Do not supply power outside the limits indicated on the rating plate.



Please earth the safety equipment as this increases the dispenser's resistance to electrical noise.



Do not use damaged or frayed cables and prevent this from happening by using, when necessary, protective elements (cable glands, conduits, etc...).



The installation of the metering unit must be carried out according to the instructions in this manual.



Do not fix the unit on an unstable, uneven or non-vertical surface. Make sure that the different elements are well anchored. Do not place heavy objects on them.



This equipment works in a vertical position, with the control cabinet at the top left and the chemical products underneath the equipment. Do not install it in other positions.



Do not disassemble or modify this equipment, at the risk of losing the possibility of warranty. Replacement of components (pumps, pipes, valves,...) or modification of the system must only be carried out by qualified personnel.



Avoid running the system dry as this may cause damage to the dosing pump(s).



Always ensure that chemicals are handled with care and that the dosing equipment area is adequately ventilated.



Do not reach into the mechanisms

# GENERAL INFORMATION

## GUARANTEE

Your product comes as standard with a 2 year warranty from the date of manufacture, against manufacturing fault or defects and mechanical or electrical breakdown. Please visit our website for full terms and conditions.

[www.brightwell.co.uk](http://www.brightwell.co.uk)

## MULTIPLEX

Multiplex is part of the Brightwell proposal for the dosing of chemical products in industrial laundries and is designed to serve any laundry with a maximum of **4 washing machines**, for a maximum daily production of **1000 kg**.

Multiplex is a single-pump unit, with an electric diaphragm pump and is designed for a maximum of **8 products**. It is possible to extend its capacities by adding additional panels with pump and suction to be able to dose more products and with simultaneous pumps.

The design of the equipment is based on the parameters that govern the entire Multiplex range:

**Technical:** Industrial design and conception, with the integration of mechanical, electrical and electronic components conceived for continuous tasks and routines.

**Flexible:** it can be configured and controlled, "in situ" or remotely, from any device, without the need for special applications or programmes.

**Secure:** Only company-authorized users have access to the equipment, defined by levels and with possible limitation of functions.

**Reliable:** Control elements and tools -software and hardware- to enable the precision required for dosing in industrial laundries.

**Accurate:** Recording of all data to obtain detailed statistics for a correct analysis of consumption, costs, alarms, performance, and production allowing the prognosis and anticipation of possible problems.

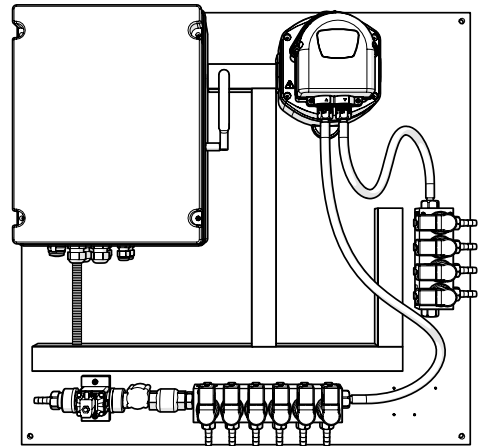
**Efficient:** With routines -software- and elements -hardware- that seek your best performance and effectiveness.

# TECHNICAL INFORMATION

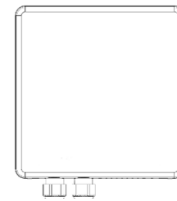
## UNIT

---

### MULTIPLEX 1 (MAIN UNIT)



### MULTIPLEX SIGNAL BOX



## ACCESSORIES

---

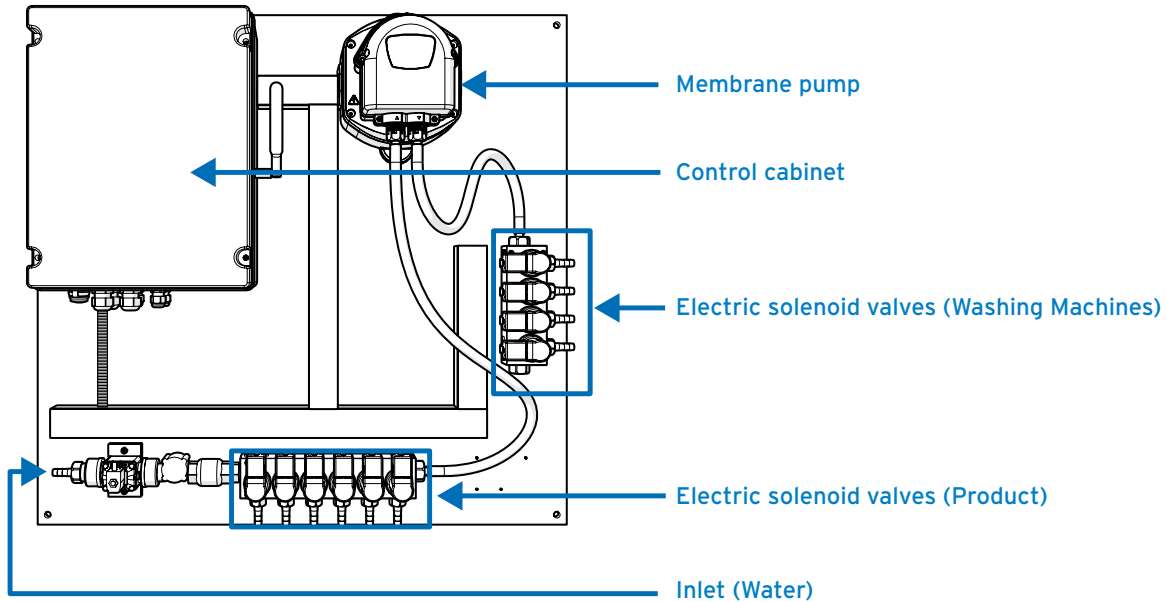
### MULTIPLEX SUCTION ROD



\*Brightwell recommends the use of accessories designed to work with Multiplex equipment. Please ask our sales department for more details on these products.

# MAIN UNIT

The Multiplex main unit consists of a control cabinet, a battery of solenoid valves for water flow and product suction, a diaphragm pump and a flow confirmation sensor.



## DISTRIBUTOR (INTEGRATED)

This is the element that completes the “dosing channel”. Its task is to direct, by opening the appropriate solenoid valve, the chemical products to the target washer.

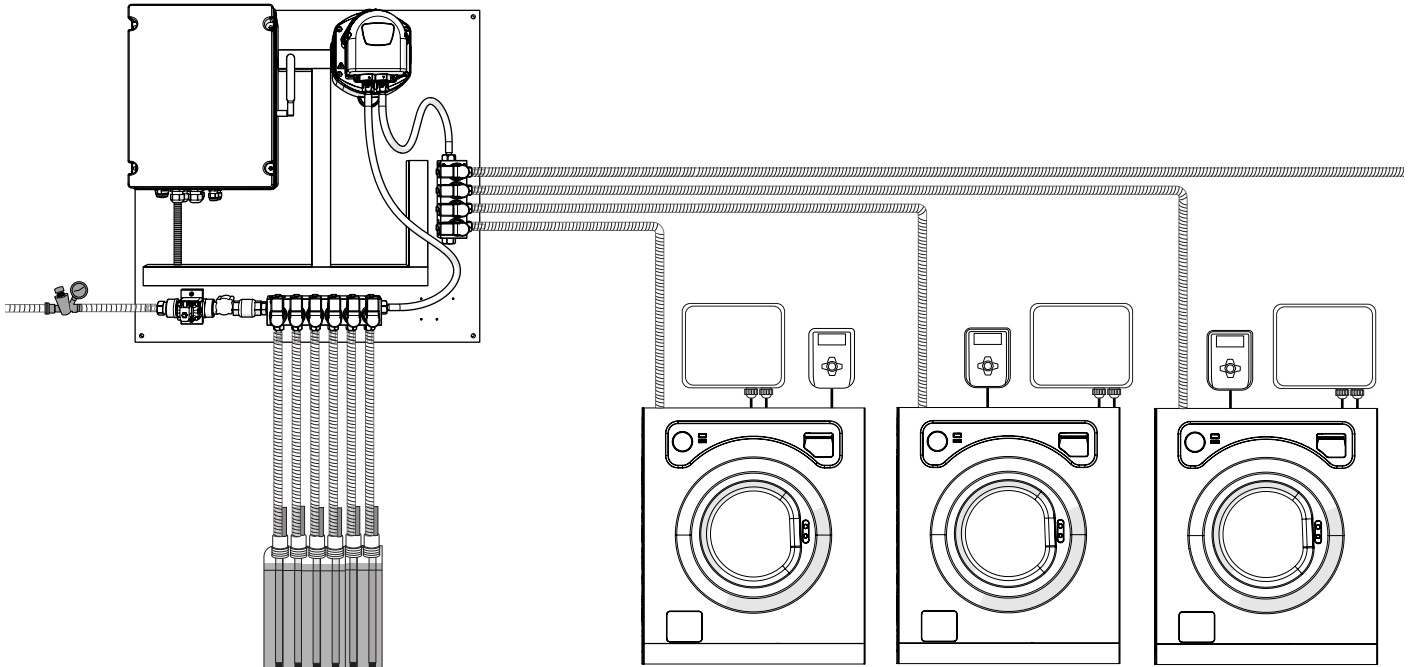
The distributor which is integrated onto the unit also has a solenoid valve that facilitates the correct calibration of the products as it takes into account the pressure loss due to the distance and all the restrictions to which the fluid is subjected.

## SIGNAL BOXES

This is the element used to collect the signals from the washers and send them to the system. We will use one signal box for each washing machine. The recommended location is on a plain wall near each washing machine.

# INSTALLATION AND CONNECTIONS

## INTRODUCTION



This image reproduces the 'Standard' setup of a Multiplex unit with one channel, understanding "Channel" as a group of products that are injected into the same manifold and directed to a distributor (washing machines) or an injection (tunnel).

For the installation and commissioning of Multiplex, we recommend that you strictly follow the following "step by step" to avoid any issues. In the following sections, the individual points will be explained in detail.

Check that you have all the material, equipment and accessories. Check that everything is in good condition.

- 1 Lay out the installation and fix all the elements - equipment, distributor, communication boxes and the necessary installation material - to the wall.
- 2 Install pipes and cables using cable ties to ensure that they are securely fastened to avoid pressure surges.
- 3 Check the product piping to avoid any possible chokes that could cause an inconvenient flow of the product.
- 4 Connect all electrical cables - using ferrules, if possible - and all pipes - using metal clamps.
- 5 Install electricity and water supplies (and air, if required).
- 6 Communication: Check all communication box connections, configure each box and selector to identify which washer they correspond to. Disconnect the communication connectors leaving only the first box connected.
- 7 Check, before raising the circuit breaker, with a multimeter -tester- that the incoming voltage is 110-240 VAC / 50-60Hz.
- 8 Supply power to the equipment and open the water supply (and air supply, if required).
- 9 Check that the supplies are adequate in terms of pressure and flow.

# INSTALLATION AND CONNECTIONS

## FIXING OF EQUIPMENT AND ACCESSORIES

Before beginning installation, ensure you have all necessary items and inspect them for any damage. Should you find any missing or defective components, refrain from installing them, as doing so could create a hazardous situation and void the warranty. Instead, return the equipment to the dealer in its original packaging. Installation of this system should only be carried out by qualified personnel in accordance with local regulations.

Identify a smooth, flat surface near the washing machines for installation. It's crucial to note that suction points **should not exceed 5 meters**, thus requiring sufficient space near the chosen point and below where the equipment will be mounted.

Avoid using elements from existing installations for new wiring. We recommend utilising the material kits provided by Brightwell; consult our sales department for assistance. Regardless, all materials used must meet the specifications outlined in this manual.

Begin by securely fixing the equipment to the wall, ensuring it is positioned vertically and level. Then mount the communication boxes, placing one near each corresponding washing machine.

Exercise caution when fixing channels for pipe transportation to prevent excessively sharp bends.



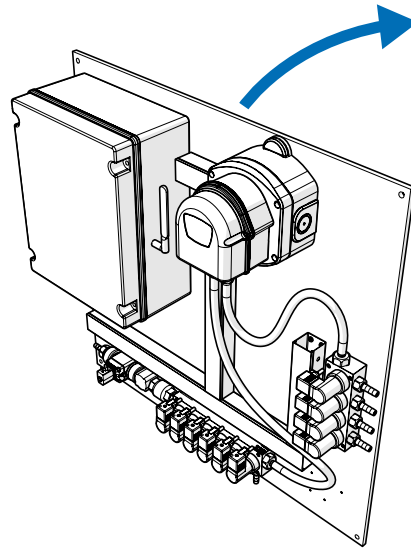
# MOUNTING YOUR MULTIPLEX UNIT



## STEP 1

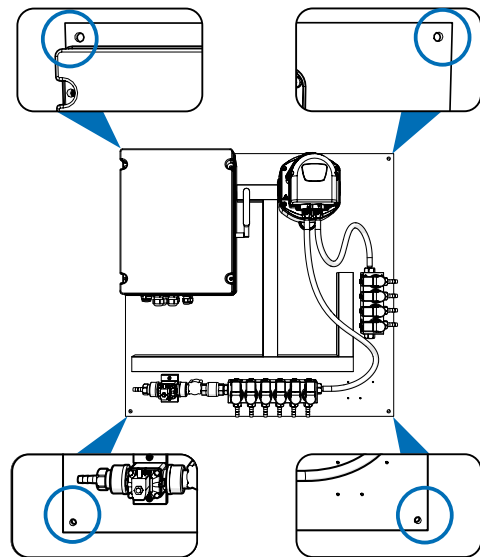
Take your Multiplex unit and place it up against the surface you want to mount it to.

**Please note: This unit is heavy and requires two people to safely lift and hold.**



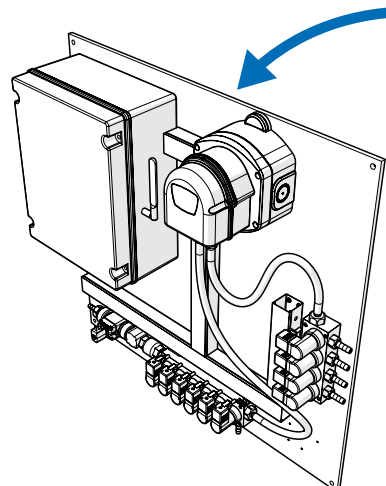
## STEP 2

Mark the 4 drilling holes with a pen or similar device.



## STEP 3

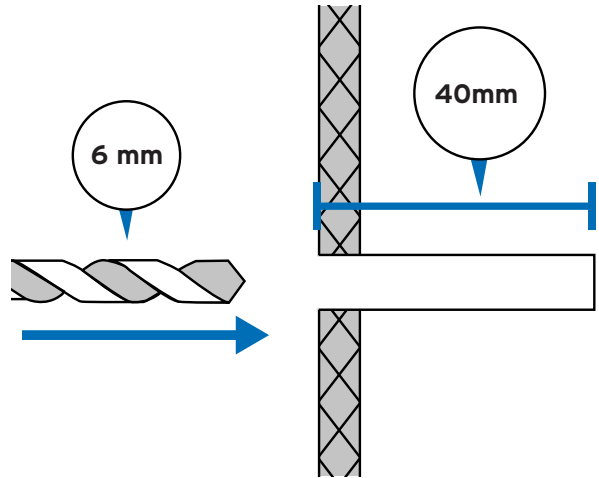
Remove the Multiplex unit from the wall and place in a safe location.



# MOUNTING YOUR MULTIPLEX UNIT

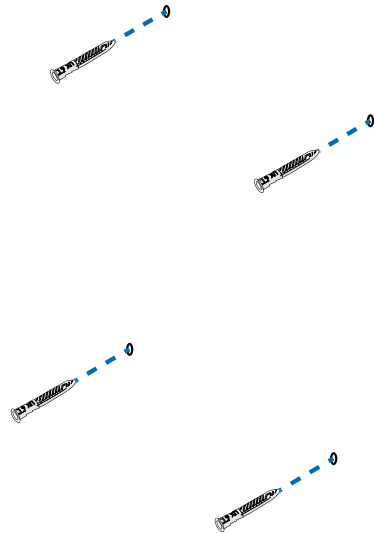
## STEP 4

Use a **6 mm** drill bit to make a **40 mm** hole for each mark.



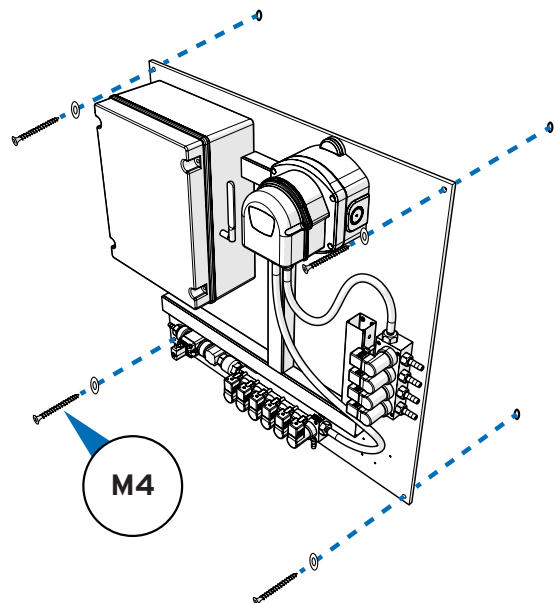
## STEP 5

Place the wall plugs into the holes you created and use a mallet or similar device to drive flush.



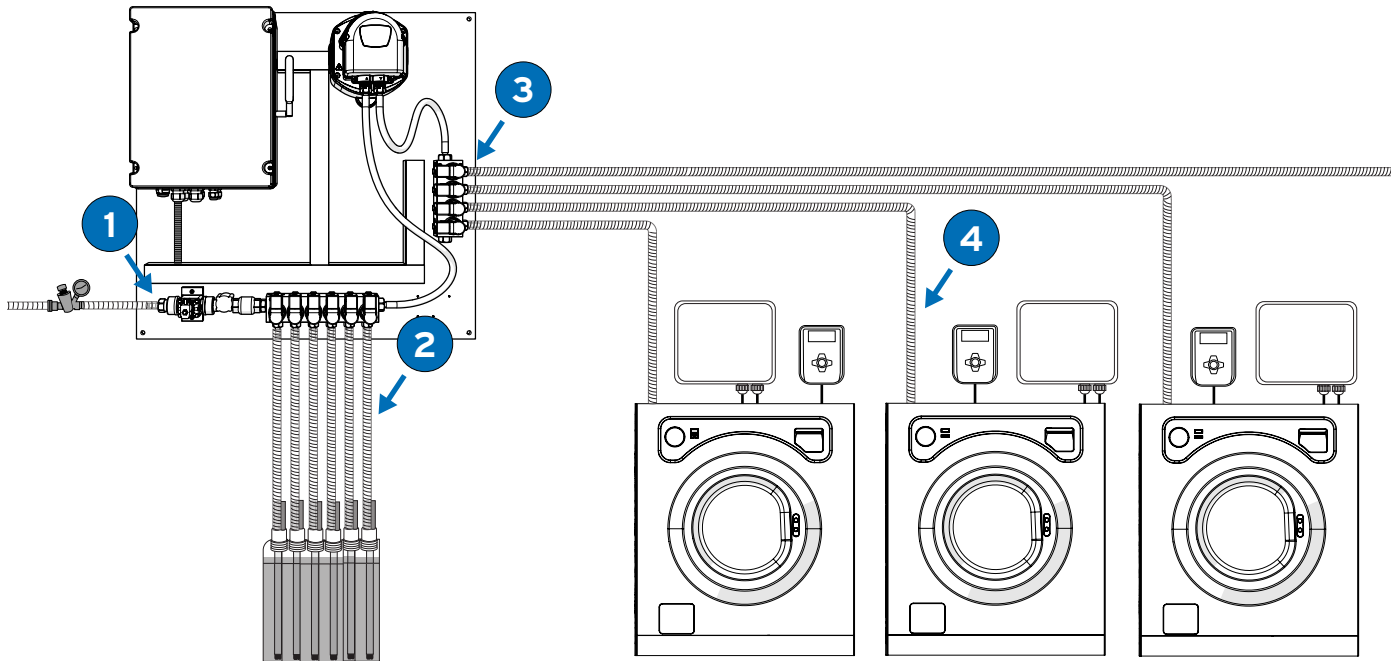
## STEP 6

Place your Multiplex on the wall and hold in place over the mounting holes. Use the washers and M4 screws provided to attach to the wall.



# CHEMICAL CONNECTION

## UNIT - DISTRIBUTOR - WASHING MACHINE CONNECTIONS



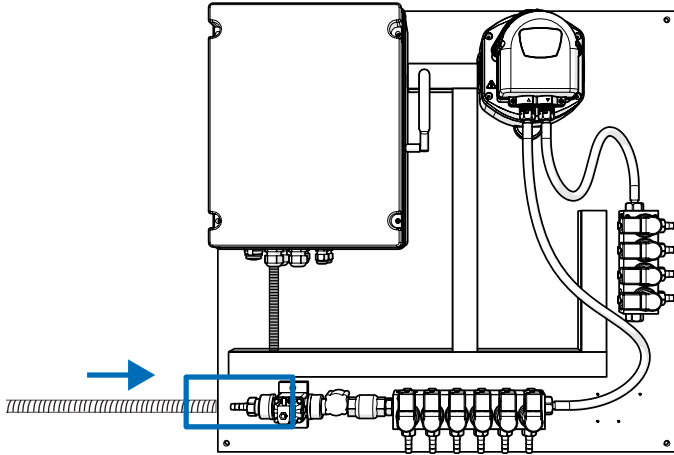
To connect equipment, distributor and washers, use **10x16 braided PVC pipe** and stainless steel clamps.

- ❶ Establish a connection between your water supply and the designated inlet connector in a secure and proficient manner.
- ❷ Affix the requisite chemicals to the designated electric solenoid valves with precision and care to ensure optimal functionality.
- ❸ Install tubing to facilitate the transfer of fluids from the outlet point to the respective washing machines, adhering to established safety protocols and industry standards.
- ❹ Establish a secure and efficient connection between the tubing and the inlet of the designated washing machines to facilitate seamless integration into the operational work flow.

It is essential that the tube cannot be throttled. Place it in a channel where it lies flat and cannot hang down.

# CHEMICAL CONNECTION

## WATER CONNECTION



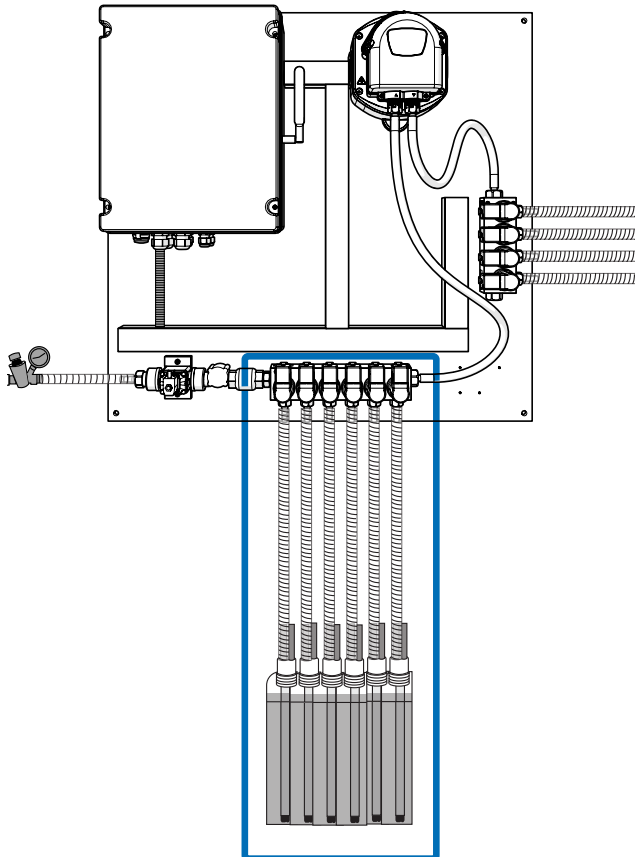
Connect the water supply to the water inlet connection seen on the unit here.

Use 10x16 braided PVC pipe and stainless steel clamp.



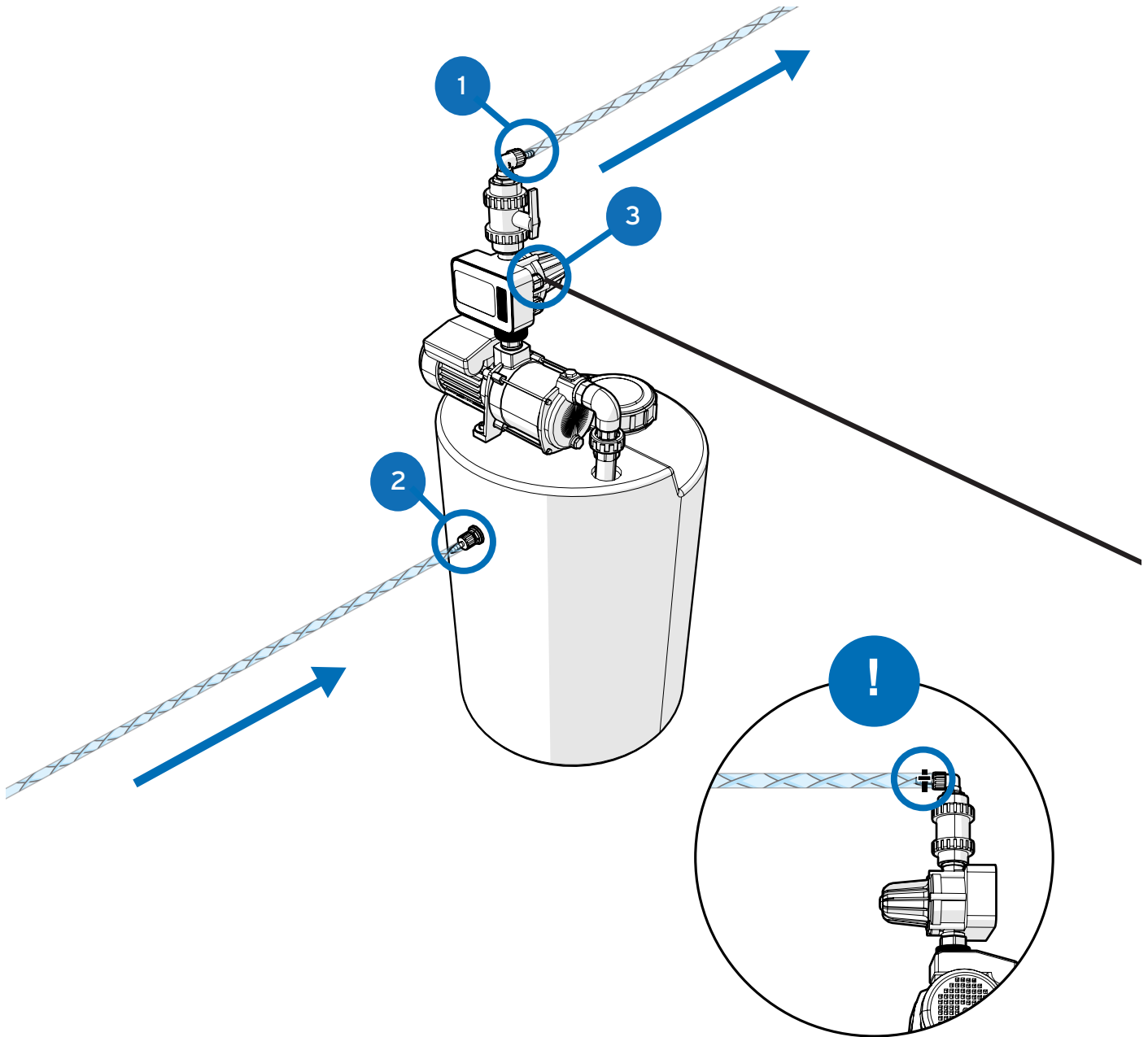
Please note that the unit requires a flow rate of **min 2l/min** and **max 10l/min** and a **dynamic pressure between 1 - 3 bar**. We recommend the installation of a press-control to guarantee operation and/or a pressure regulator if there is a possibility that the operating pressure may be too high.

## CHEMICAL CONNECTIONS



Connect the various suction nozzles to the solenoid valves on the central panel using 10x16 braided PVC pipe. Use stainless steel clamps for this purpose.

# BOOSTER TANK CONNECTION (OPTIONAL)



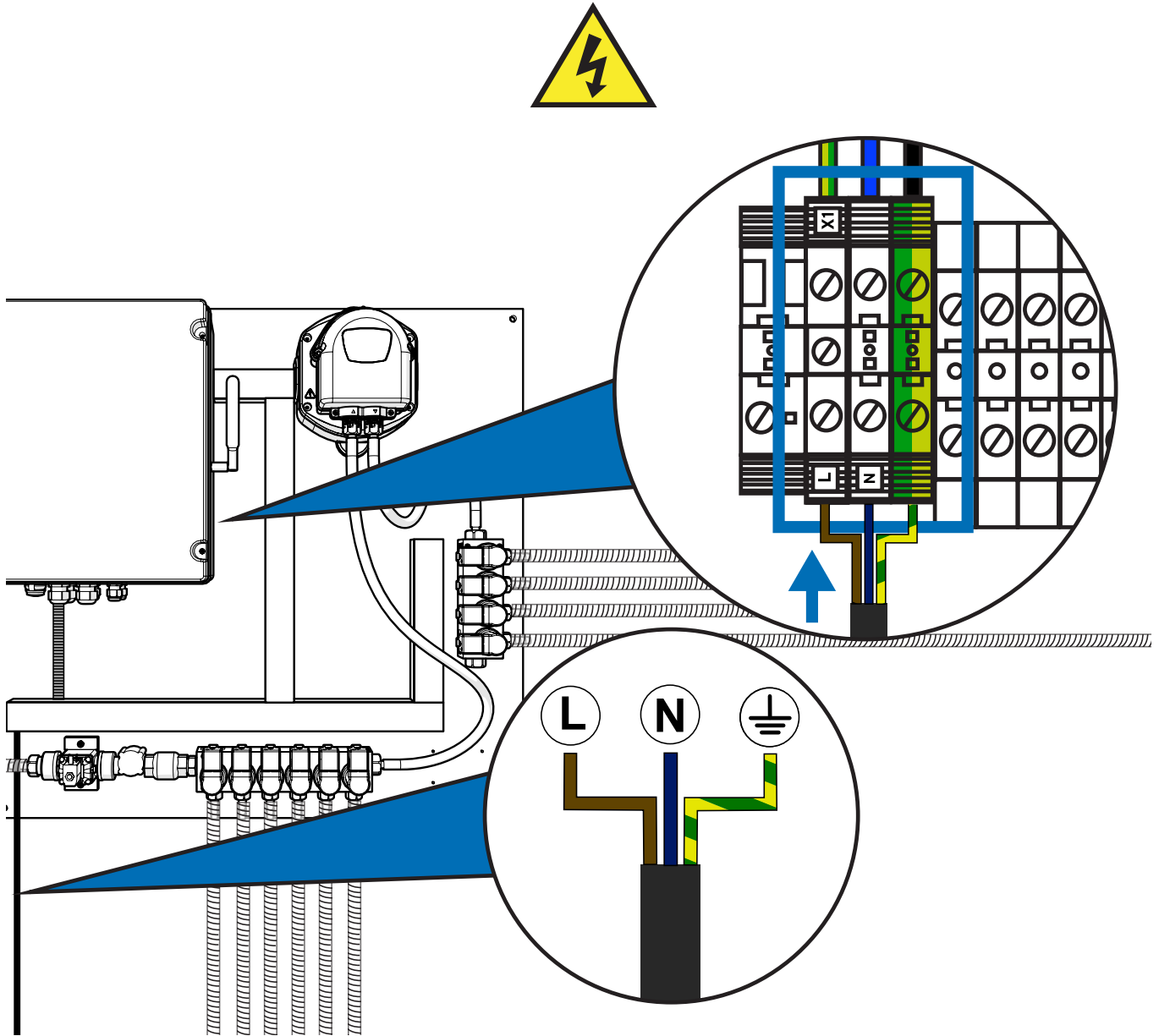
Please note that the unit requires a flow rate of **min 2/l per min - max 10/l per min** and a dynamic pressure range of **1.5 bar (min) - to 3 bar (max)**. A booster tank is recommended whenever a consistent supply is not available.

**!** Use zip ties or hose clamps on all water connections to avoid leaks.

Please note - If you do not use a booster tank performance values can not be guaranteed by Brightwell.

No.	Description
1	Water Outlet 10mm (3 bar regulated)
2	Water Inlet 10mm
3	110 - 240 v Pump Input

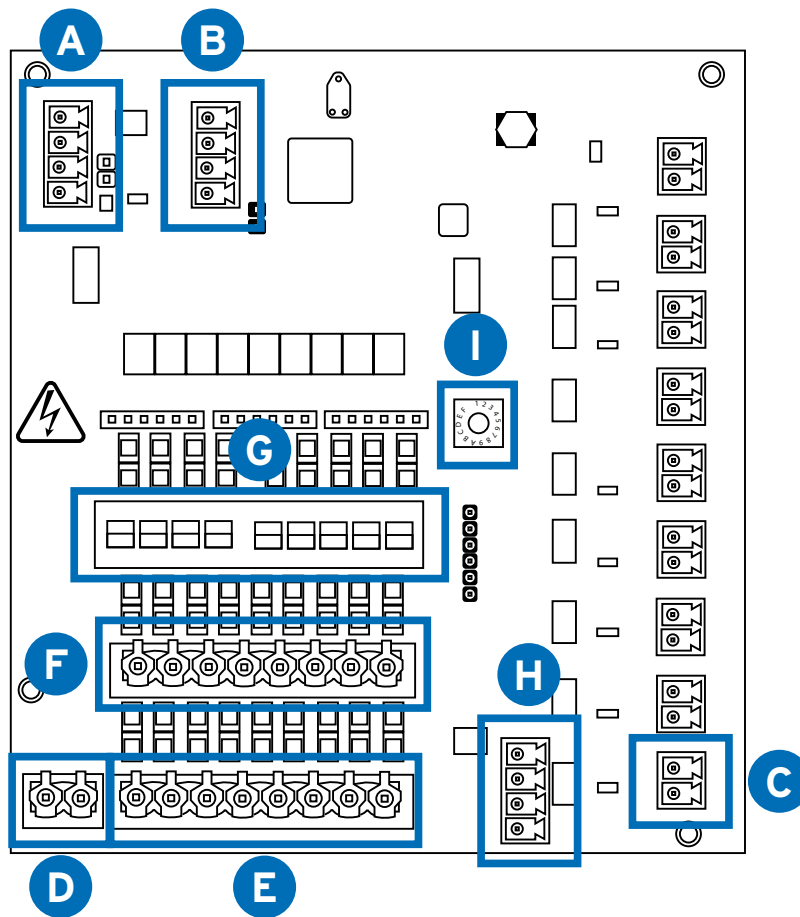
# WIRING POWER FOR THE MULTIPLEX UNIT



For the power supply of the equipment you must use **3x1'5mm<sup>2</sup> cable**. Insert the cable through the channel located at the bottom left and use one of the cable glands to insert it safely inside the control cabinet. Connect to the terminals identified with **X1** found on the lower left of the connections.

The power supply must be suitably protected. Use a specific line for the power supply of the equipment.

# PCB CONNECTIONS FOR YOUR SIGNAL BOX



Connector	Description
A	COMMS IN
B	COMMS OUT
C	MACHINE PAUSE
D	COMMON NEUTRAL *
E	SIGNAL/TRIGGER INPUTS *
F	ISOLATED NEUTRAL *
G	COMMON OR ISOLATED DIP SWITCH SELECTOR
H	FORMULA SELECT CONNECTOR
	MACHINE NUMBER ROTARY SELECTOR
I	*Please turn the rotary dial to the machine number in the setup. IE. Number 1 = Machine 1 Number 2 = Machine 2

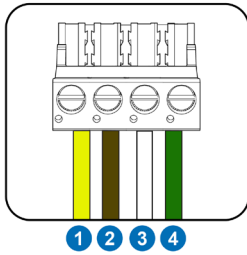
\* For the connection between the signal box and laundry machine, you'll need to provide a cable with the correct number of conductors for both signal and neutral transmission.

# SIGNAL BOX CONNECTOR WIRING GUIDE

**A**

## COMMS IN

(From the main dosing unit to the signal box)

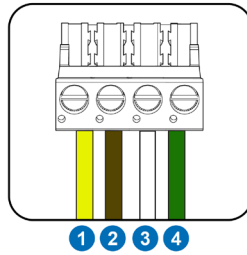


No.	Description
1	24 V +
2	24 V -
3	COMMS A
4	COMMS B

**B**

## COMMS OUT

(To the next signal box in the chain)

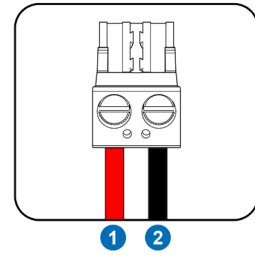


No.	Description
1	24 V +
2	24 V -
3	COMMS A
4	COMMS B

**C**

## VALVE OUTPUTS

(24 VDC)

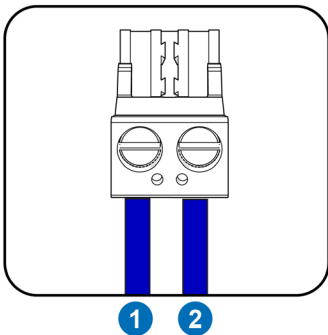


No.	Description
1	24 V +
2	24 V -

**D**

## COMMON NEUTRAL \*

(Common neutral input)

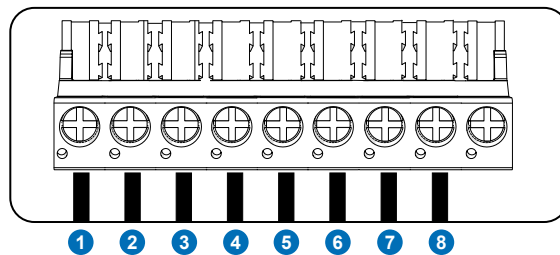


No.	Description
1	COMMON NEUTRAL
2	COMMON NEUTRAL

**E**

## SIGNAL/TRIGGER INPUTS \*

(Signal inputs from machine)  
(24 - 240 VDC)



No.	Description
1	SIGNAL/TRIGGER INPUT 1
2	SIGNAL/TRIGGER INPUT 2
3	SIGNAL/TRIGGER INPUT 3
4	SIGNAL/TRIGGER INPUT 4
5	SIGNAL/TRIGGER INPUT 5
6	SIGNAL/TRIGGER INPUT 6
7	SIGNAL/TRIGGER INPUT 7
8	SIGNAL/TRIGGER INPUT 8

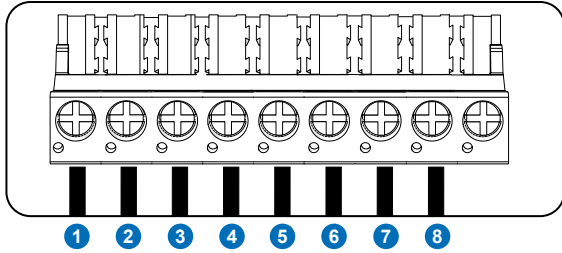


# SIGNAL BOX CONNECTOR WIRING GUIDE



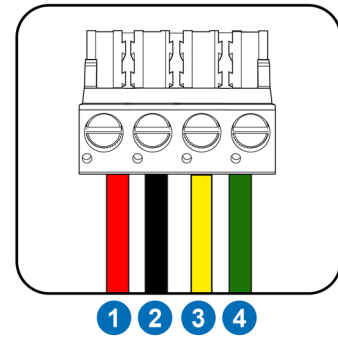
## ISOLATED NEUTRAL INPUTS \*

(Neutral inputs for isolated signals)  
(24 - 240 VDC)



## FORMULA SELECT INPUT

(Formula Select Input)



No.	Description
1	ISOLATED NEUTRAL SIGNAL INPUT 1
2	ISOLATED NEUTRAL SIGNAL INPUT 2
3	ISOLATED NEUTRAL SIGNAL INPUT 3
4	ISOLATED NEUTRAL SIGNAL INPUT 4
5	ISOLATED NEUTRAL SIGNAL INPUT 5
6	ISOLATED NEUTRAL SIGNAL INPUT 6
7	ISOLATED NEUTRAL SIGNAL INPUT 7
8	ISOLATED NEUTRAL SIGNAL INPUT 8

No.	Description
1	24 V +
2	24 V -
3	COMMS A
4	COMMS B

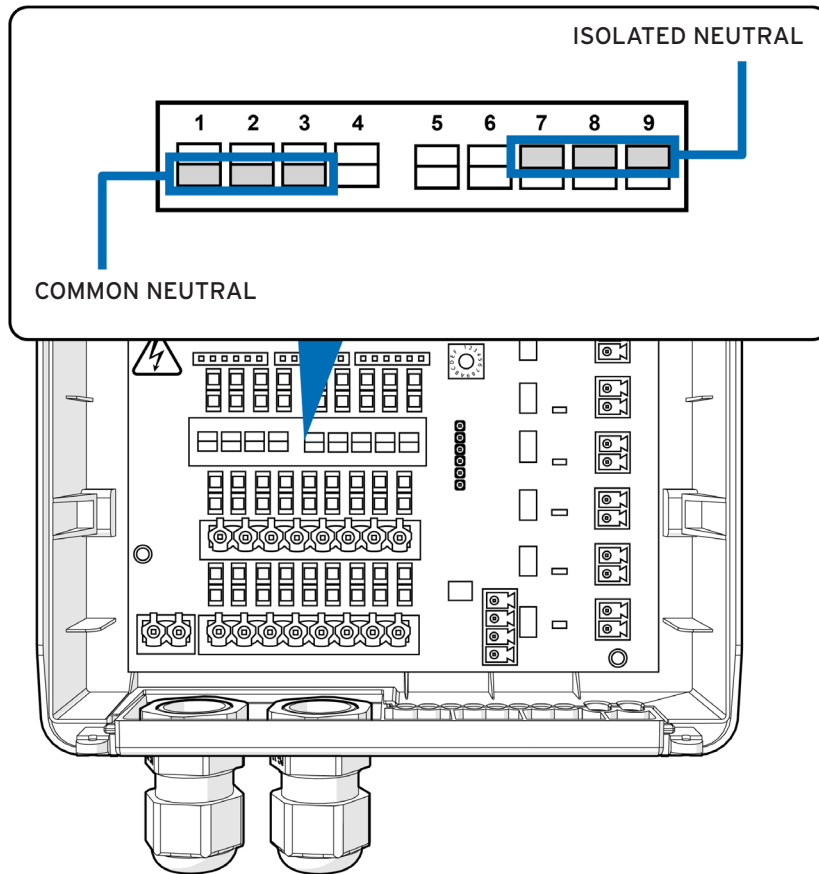
# SIGNAL BOX CONNECTOR WIRING GUIDE

## DIP SWITCH CONFIGURATION AND SETUP

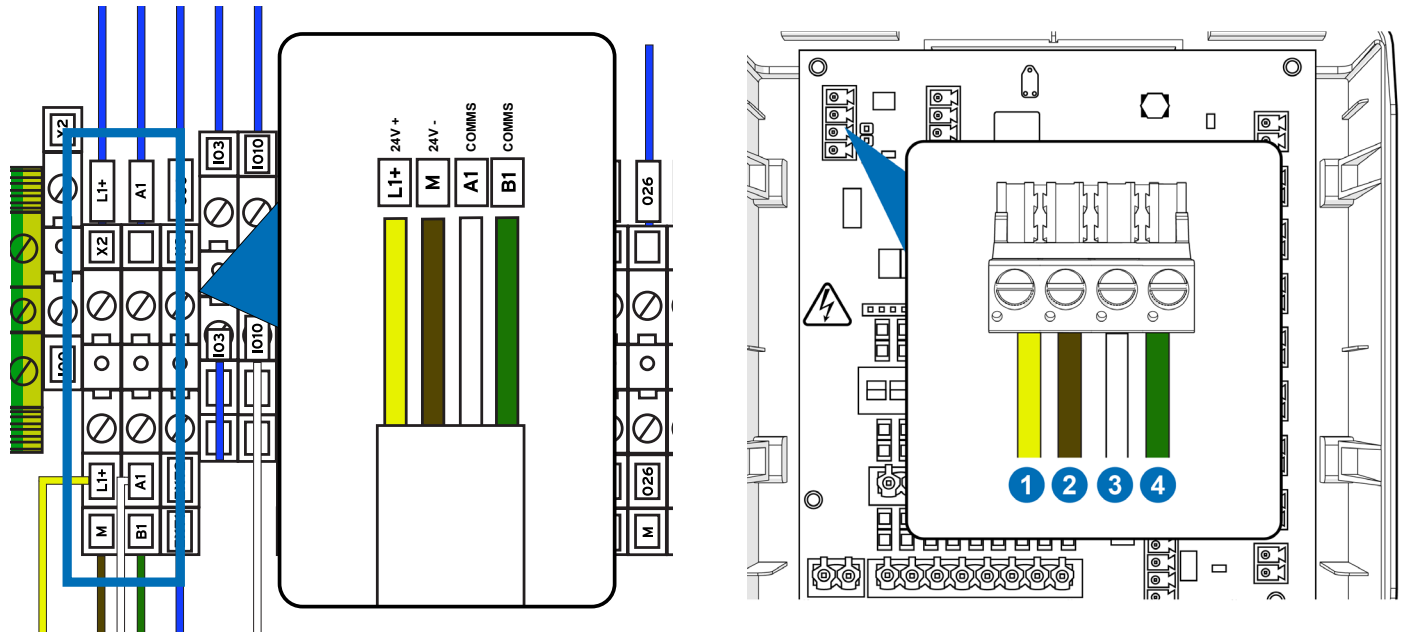
To configure the neutral connections, utilise the dip switches positioned above the signal inputs. Set the dip switch to either the **COMMON** or **ISOLATED** position as required. For isolating a trigger signal, move the dip switch to the **TOP** position. Conversely, if it shares a common neutral, move it to the **BOTTOM** position. Here's an example:

- Trigger 1: Isolated - Dip switch 1 set to **TOP**
- Trigger 2: Common - Dip switch 2 set to **BOTTOM**

## DIAGRAM



# COMMS WIRING SIGNAL BOX

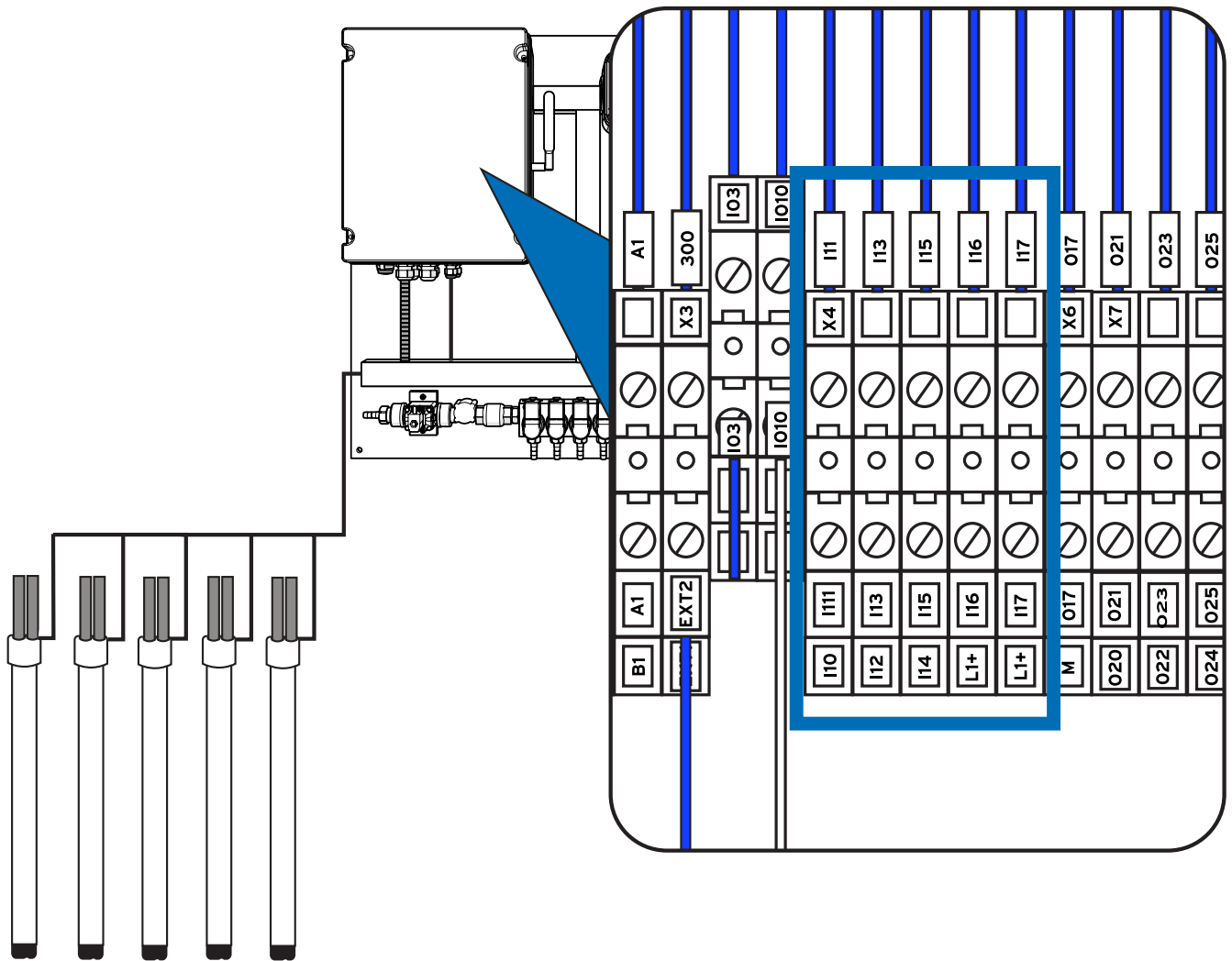


To connect the external communication box to the unit, connect terminal X2 on the main machine to terminal X1 on the communication box.

No.	Description
L1+	24 V +
M	24 V -
A1	COMMS A
B1	COMMS B

No.	Description
1	24 V +
2	24 V -
3	COMMS A
4	COMMS B

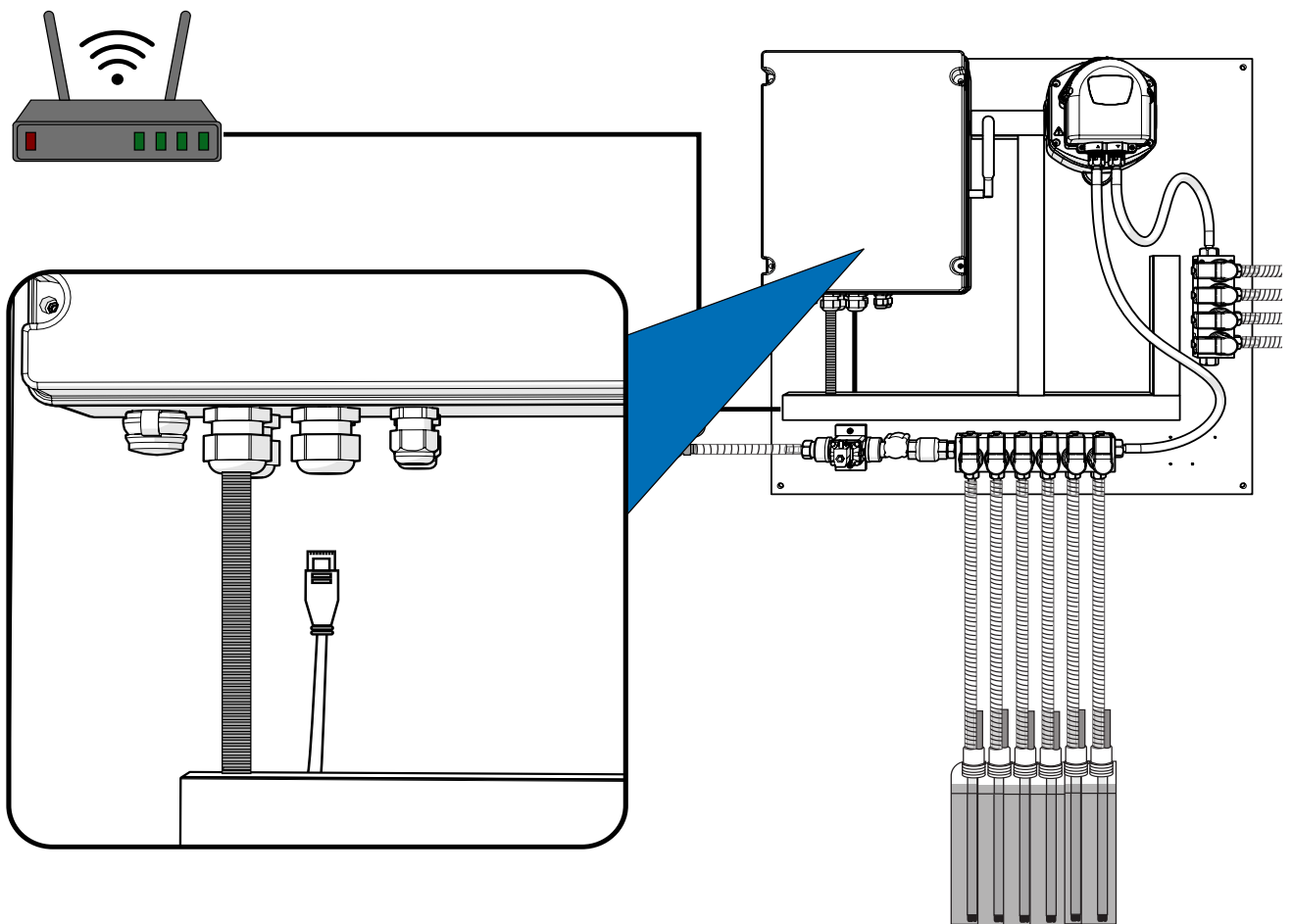
# ELECTRICAL WIRING SUCTION RODS



To connect the external suction rods to the machine, utilize inputs I10 to I17, as indicated above.

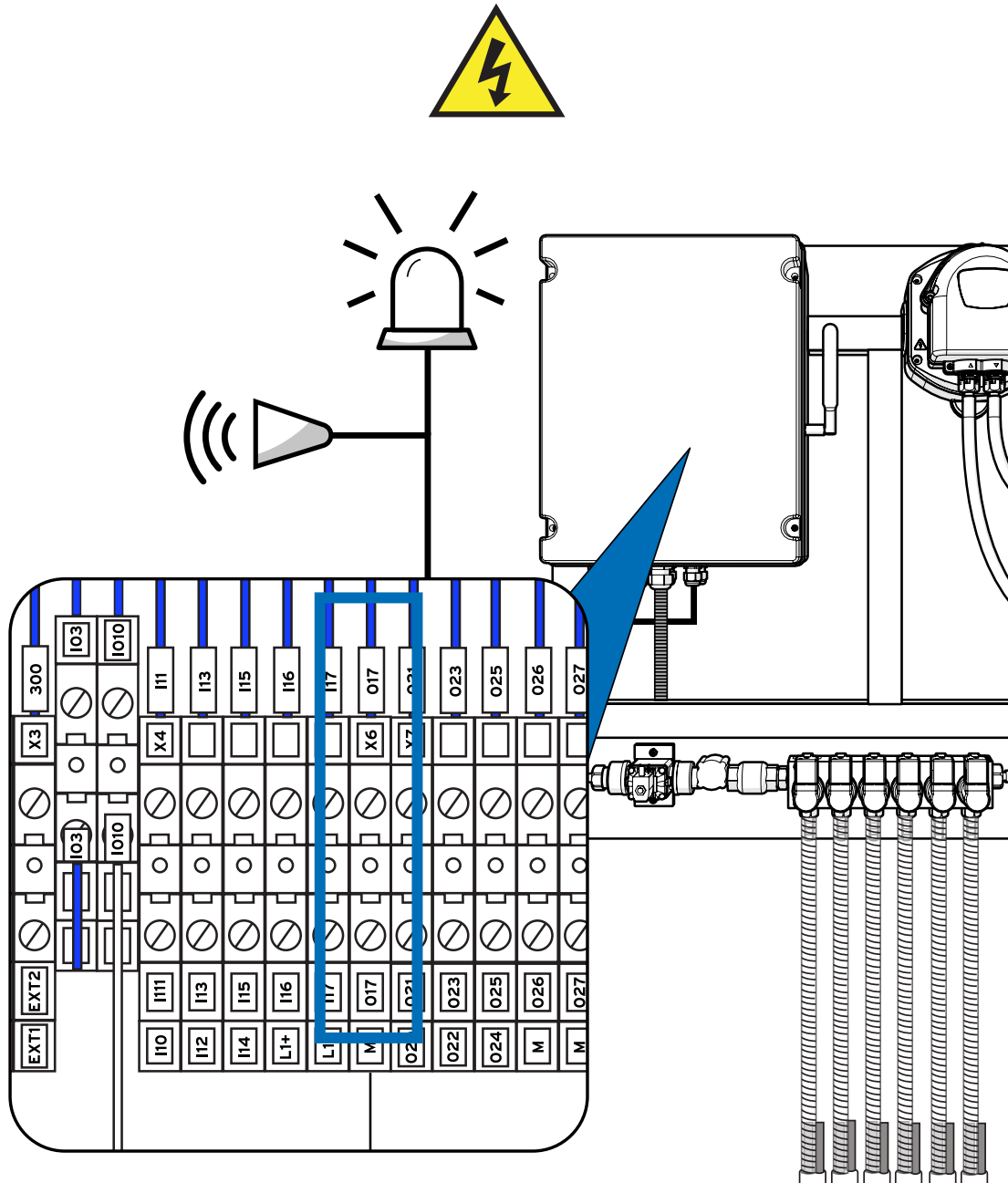
Connection number	Rod number
I10	SUCTION ROD 1
I11	SUCTION ROD 2
I12	SUCTION ROD 3
I13	SUCTION ROD 4
I14	SUCTION ROD 5
I15	SUCTION ROD 6
I16	SUCTION ROD 7
I17	SUCTION ROD 8
L1+	COMMON 24VDC

# CONNECTING YOUR UNIT TO THE INTERNET



To connect your unit to the internet, simply plug an Ethernet cable into any router through the connector located on the bottom of the main box.

# ELECTRICAL CONNECTION TO EXTERNAL ALARM

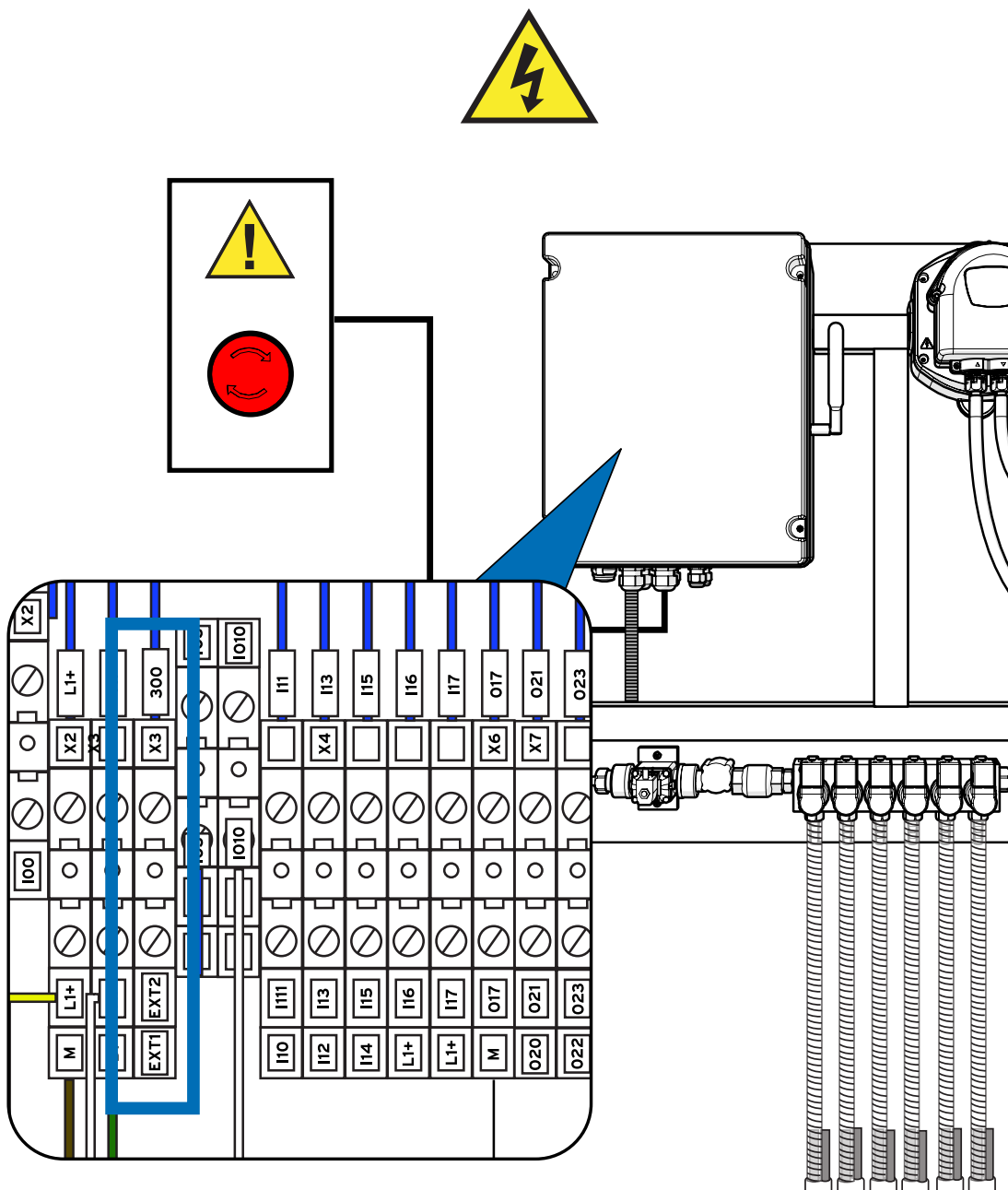


To connect an external alarm or warning light to the system, utilize slot X6 as depicted above.

Connection number	Rod number
X6	EXTERNAL ALARM
017	24VDC (+)
M	(-)

\*The alarm must be 24VDC

# ELECTRICAL CONNECTION EMERGENCY STOP



To connect an emergency stop button to your unit, you can use the EXT1 and EXT2 connectors slot shown above.

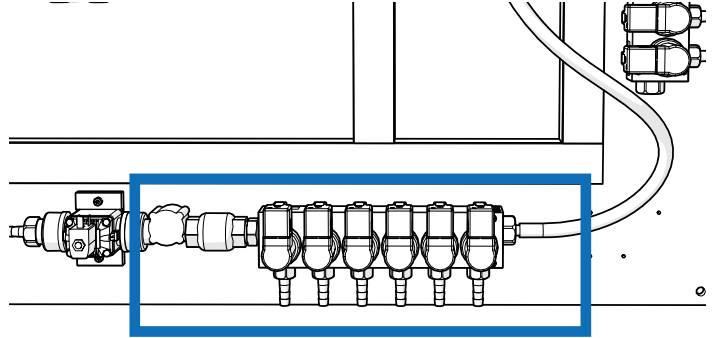
Connection number	Shutdown number
EXT1	EXTERNAL EMERGENCY SHUTDOWN 1
EXT2	EXTERNAL EMERGENCY SHUTDOWN 2

IF NO EMERGENCY STOP IS CONNECTED, LEAVE THE JUMPER EXT1-EXT12 CONNECTED.

# REPLACING A VALVE ON YOUR MULTIPLEX SYSTEM

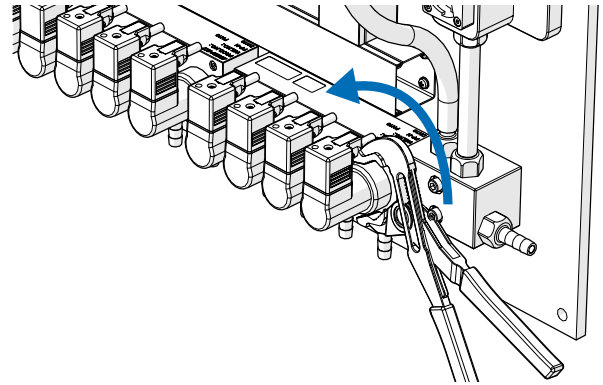
## STEP 1

Locate the valve you want to replace located at the bottom of the unit.



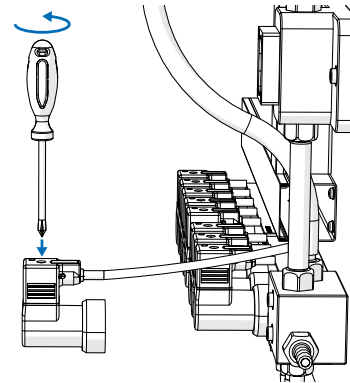
## STEP 2

Use adjustable pliers (or similar tool) to loosen the valve.



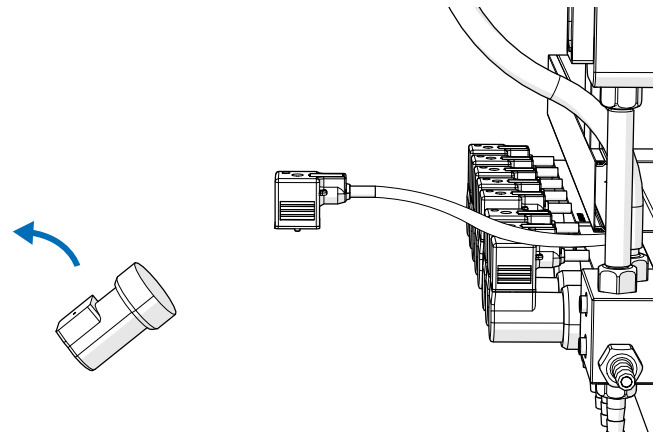
## STEP 3

Use a screwdriver to disconnect the connector on the top of the valve.



## STEP 4

Remove the valve and dispose of safely.

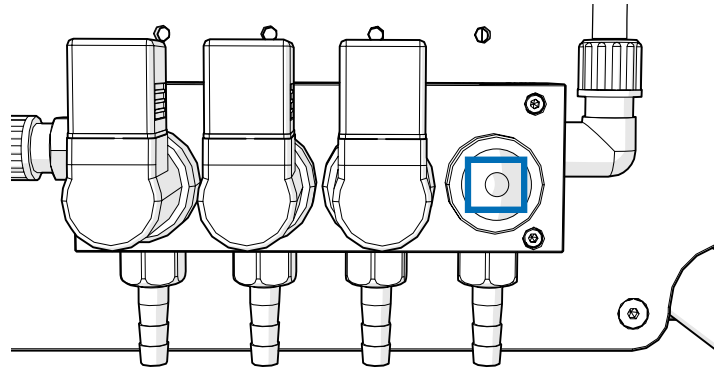




# REPLACING A VALVE ON YOUR MULTIPLEX SYSTEM

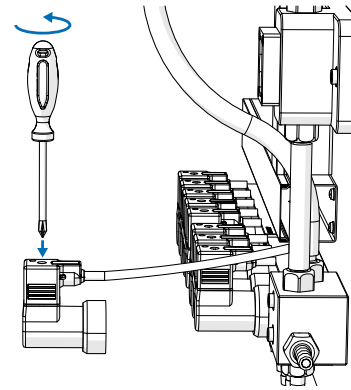
## STEP 5

After the valve has been removed you can check for and residue that may have built up from the chemicals. You can remove this easily with a zip tie or something similar.



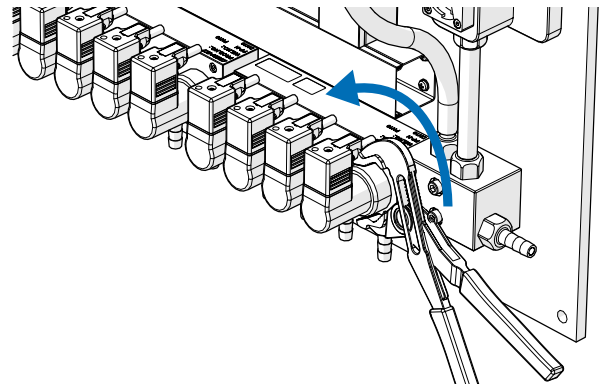
## STEP 6

Use a screwdriver to reconnect the connector to the top of the valve.



## STEP 7

Use the adjustable pliers from before to securely attached the new valve. Confirm this is tightly attached to avoid leakage.



# MAINTENANCE

## ON EACH MAINTENANCE VISIT

**Visual Check:** Inspect all connections for leaks or product residues.

**Alarms:** Access the list of alarms via the webserver. If any particular alarm is noted on one or more days, prioritize addressing it.

## EVERY 6 MONTHS

**Visual check:** look for leaks or product residues at any of the connections.

**Alarms:** By connecting to the webserver, look at the list of alarms of the equipment. If you notice a particular alarm on one or more days, focus on it.

**Calibration:** calibrate the products again. Thermal changes affect the viscosity of the product and it is possible that the calibration is not adjusted.

## EVERY YEAR

If the equipment operates regularly without seasonal shutdowns, ensure that the suction lines are in good condition. It is recommended to replace the suction line for alkaline products to prevent excessive hardening of the tubes and the risk of breakage.

If the equipment is only used during the summer season, it is important to fill all lines with water at the end of the season, including the suction lines. This helps minimize the effects caused by contact with chemicals and prevents future problems.