



MULTIPLIX 1

LAUNDRY DOSING SYSTEM INDUSTRIAL

PRODUCT DATASHEET



Description

Designed to cater to a range of laundry sizes, the Multiplex range serves establishments operating anywhere from 4 to 12 washing machines, with daily production capacities ranging from 500kg using our Multiplex 1 to 4000kg with our advanced Multiplex 2 Pro. With safety as a top priority, the Multiplex dosing system incorporates several key features to ensure peace of mind for operators. From rigorous leak and water testing protocols to comprehensive chemical compatibility checks, Multiplex guarantees a secure dosing routine. Additionally, its innovative design includes continuous channel cleaning with water, effectively minimizing maintenance requirements and ensuring uninterrupted operation.

Technical Specifications

		Value
LAUNDRY	Maximum daily production	1000 kg
	Maximum of products	8
UNIT	Maximum number of washing machines	4
	Functions	Configure Real-Time View Reports Password Management
INTERACTION	Interface	Webserver (Local) Web Portal
	Voltage / Frequency	110-240 VAC / 50-60Hz
ELECTRICAL PARAMETERS	Power	108W

T +44 (0) 1273 513566 **E** sales@brightwell.co.uk **W** brightwell.co.uk

Unit 1, Rich Industrial Estate, Avis Way, Newhaven, East Sussex, BN9 0DU, UK

All information in this data sheet is correct at the time of printing and is subject to change without notice.

Technical Specifications

		Value
WATER	Pressure in dynamic regime	1.5 bar (min) - 3 bar (max) Regulator recommended
	Flow rate range	min 2/l per min - max 10/l per min
	Inlet connection	Barb 10mm
	Maximum temperature	< 30 ° C
	Recomended hardness	< 8°dH
	Booster tank	Not included. Supplied on request. Recommended.
PANELS	Material	PVC
PUMPS	Number	1 pump per channel. Main channel: electric diaphragm
	Flow rate (with water)	1.5 litres/minute
	Body	PVDF
	Membranes	PTFE
	Non return valves	PVDF/FFKM
PRODUCT/WATER VALVES	Voltage	24VDC
	Body	PP
	Closure piston	PTFE
	O-rings	FFKM
FLOW SENSOR	Standard measuring principle	Water only flow sensor
	Signal	9 VDC PNP
	Body	PVC/PA
	O-rings	NBR
DOSING	Distribution	Integrated distributor
	Outlet barb diameter	10 mm
	Outlet barb material	PVDF
	Built-in tubes	EVA tube 10x16 mm
	Recommended pipes for installation	Braided (UK & US) PVC 10x16
CALIBRATION	Mode	Via distributor
	Measuring cup type	Not included * recommend
FORMULAS	Number	200
	Dose units	g/kg fl.oz/cw
	Maximum number of doses per phase	6

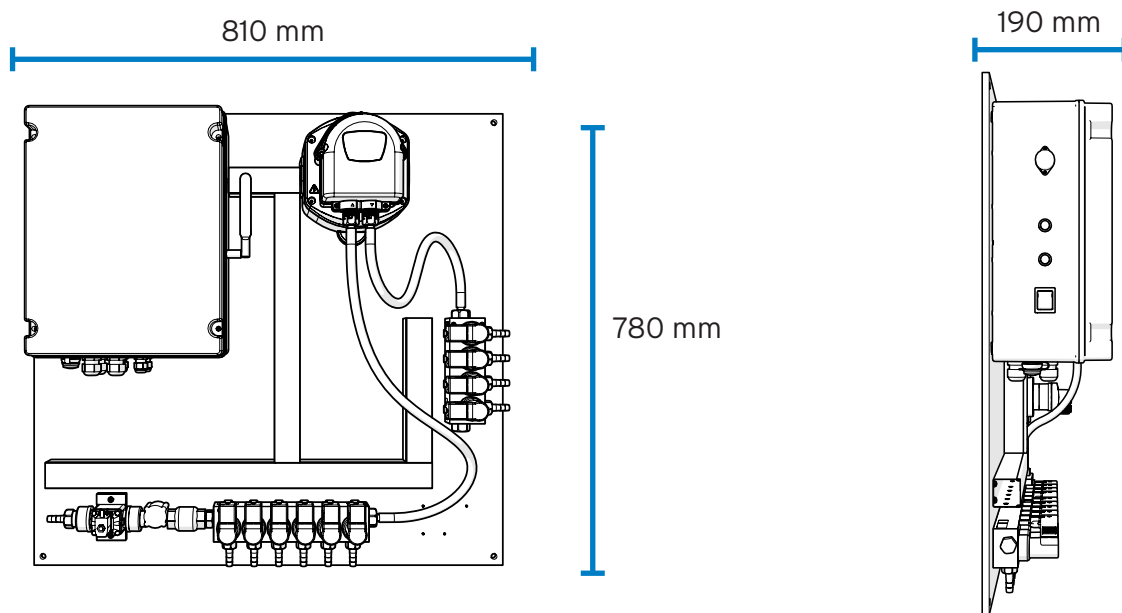
T +44 (0) 1273 513566 **E** sales@brightwell.co.uk **W** brightwell.co.uk

Unit 1, Rich Industrial Estate, Avis Way, Newhaven, East Sussex, BN9 0DU, UK

All information in this data sheet is correct at the time of printing and is subject to change without notice.

		Value
STATISTICS	Data	Cloud synchronisation
		Onboard storage
		Production in load and cycles
	Information	Consumption and product cost
		OEE
REMOTE ACCESS	Availability	Alarms
		Data always available on the web portal and the possibility to make changes at any time, with instant synchronisation
	Router *Internet access	Not included in the equipment

Diagram



Dimensions

Width	810 mm
Height	780 mm
Depth	190 mm

Weight

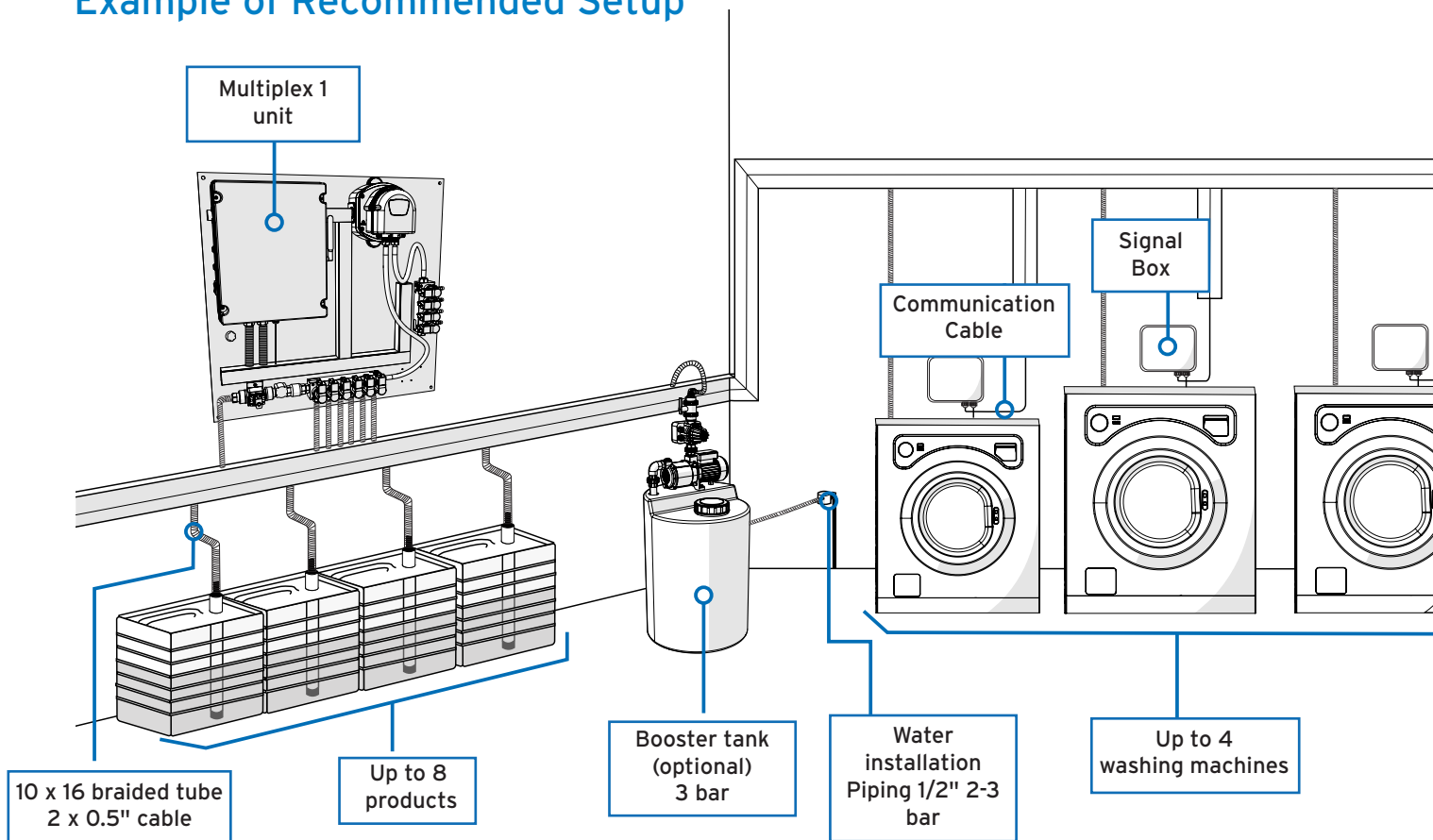
Unit	18.60kg
------	---------

T +44 (0) 1273 513566 **E** sales@brightwell.co.uk **W** brightwell.co.uk

Unit 1, Rich Industrial Estate, Avis Way, Newhaven, East Sussex, BN9 0DU, UK

All information in this data sheet is correct at the time of printing and is subject to change without notice.

Example of Recommended Setup



T +44 (0) 1273 513566 **E** sales@brightwell.co.uk **W** brightwell.co.uk

Unit 1, Rich Industrial Estate, Avis Way, Newhaven, East Sussex, BN9 0DU, UK

All information in this data sheet is correct at the time of printing and is subject to change without notice.