



MULTIPLEX 2 (PRO) INDUSTRIAL LAUNDRY DISPENSING SYSTEM

PRODUCT DATA SHEET



Description

Designed to cater to a range of laundry sizes, the Multiplex range serves establishments operating anywhere from 4 to 12 washing machines. With safety as a top priority, the Multiplex dispensing system incorporates several key features to ensure peace of mind for operators. From rigorous leak and water testing protocols to comprehensive chemical compatibility checks, Multiplex guarantees a secure dispensing routine. Additionally, its innovative design includes continuous channel cleaning with water, effectively minimizing maintenance requirements and ensuring uninterrupted operation.

Technical Specifications

		Value
UNIT	Maximum of products	10
	Maximum number of washing machines*	12
	* Requires Machine Hold functionality	
INTERACTION	Functions	Configure
		Real-time view
		Reports
		Password management
INTERFACE	Interface	7" Touchscreen (Local)
		Webserver (Local)
		Web Portal
ELECTRIC PARAMETERS	Voltage/Frequency	110-240 VAC / 50-60Hz
	Power	120W

T (+1) 913-956-4909 E sales@brightwell-inc.com W brightwell-inc.com/

Brightwell Dispensers Inc. 9858 Britton Street, Lenexa, KS, 66219

All information in this data sheet is correct at the time of printing and is subject to change without notice.

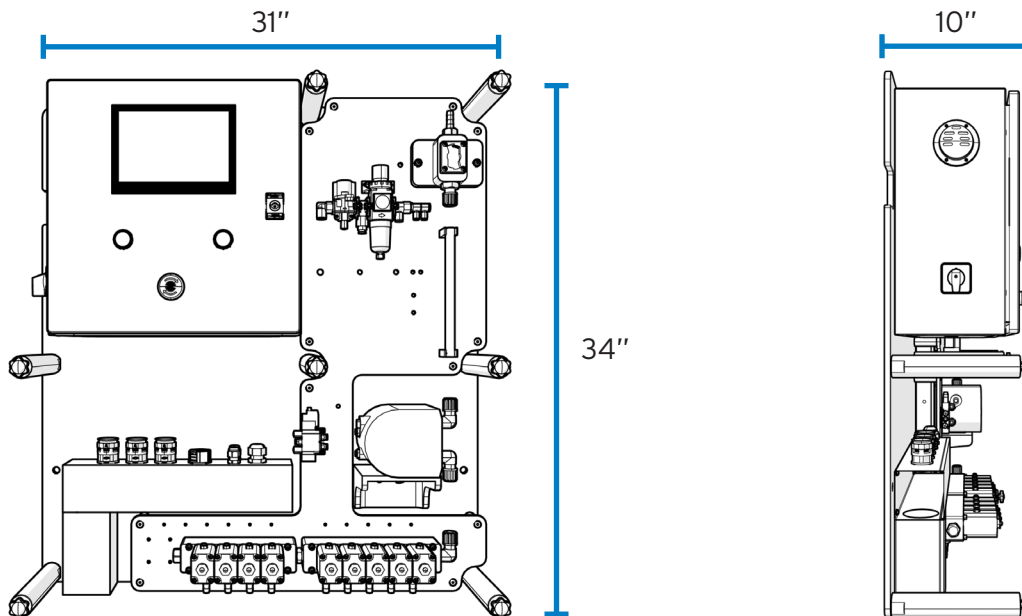
Technical Specifications

		Value
AIR	Working pressure	58 PSI
	Air intake	3/8" barbed connector
	Average consumption	4.9 cubic feet per minute
	Air entrainment	Optional
	Condensation filter	Integrated
PANELS	Material	PVC
PUMPS	Number	1 pump per channel. Main channel: Pneumatic double diaphragm pump
	Flow rate (with water)	169 fl oz per min
	Body	PVDF
	Membranes	PTFE
	Non-return valves	PVDF/FFKM
PRODUCT/WATER VALVES	Voltage	24VDC
	Body	PP
	Closure piston	PTFE
	O-rings	FFKM
FLOW METERS	Standard measuring principle	Paddles + Hall effect sensor
	Signal	24 VDC PNP
	Body	PP
	Palettes	PVDF
	O-rings	FKM
	Alternatives	*Oval Gear not included. Supplied on request. Recommended with chemicals 180cP and above.
DOSING	Distribution	External distributor
	Outlet barb diameter	3/8"
	Outlet barb material	PVDF
	Fittings (straight / elbows)	PP for 3/8" / 1/2" pipe
	Built-in tubes	PTFE (Teflon) 3/8" x 1/2" pipe
	Recommended pipes for installation	Reinforced PVC 3/8" x 5/8"
CALIBRATION	Mode	Distributor Valve
	Measuring vase	Not included * recommended
FORMULAS	Number	200
	Dose units	g/kg
		fl oz/cw
	Maximum number of doses per phase	6

Technical Specifications

		Value
STATISTICS	Data	Synchronization in the cloud
		On-board storage
		Production in load and cycles
	Information	Consumption and product cost
		OEE
REMOTE ACCESS	Availability	Alarms
	Router	Data always available on the web portal and the possibility to make changes at any time, with instant synchronization
WATER	Pressure in dynamic range	Not included in the equipment
	Flow rate range	Min 22 PSI - Max 44 PSI
	Input connection	Regulator recommended
	Maximum temperature	Min 68 fl oz/min (Approx)
	Required hardness	Max 338 fl oz/min (Approx)
		3/8" in barbed connector
	Booster tank	< 86° F
	8 - 8.5 gpg (grains per gallon)	
	Not included. Supplied on request.	
	Recommended.	

Diagram



Dimensions

Width	31 inches
Height	34 inches
Depth	10 inches

Weight

Unit	93 lbs
------	--------

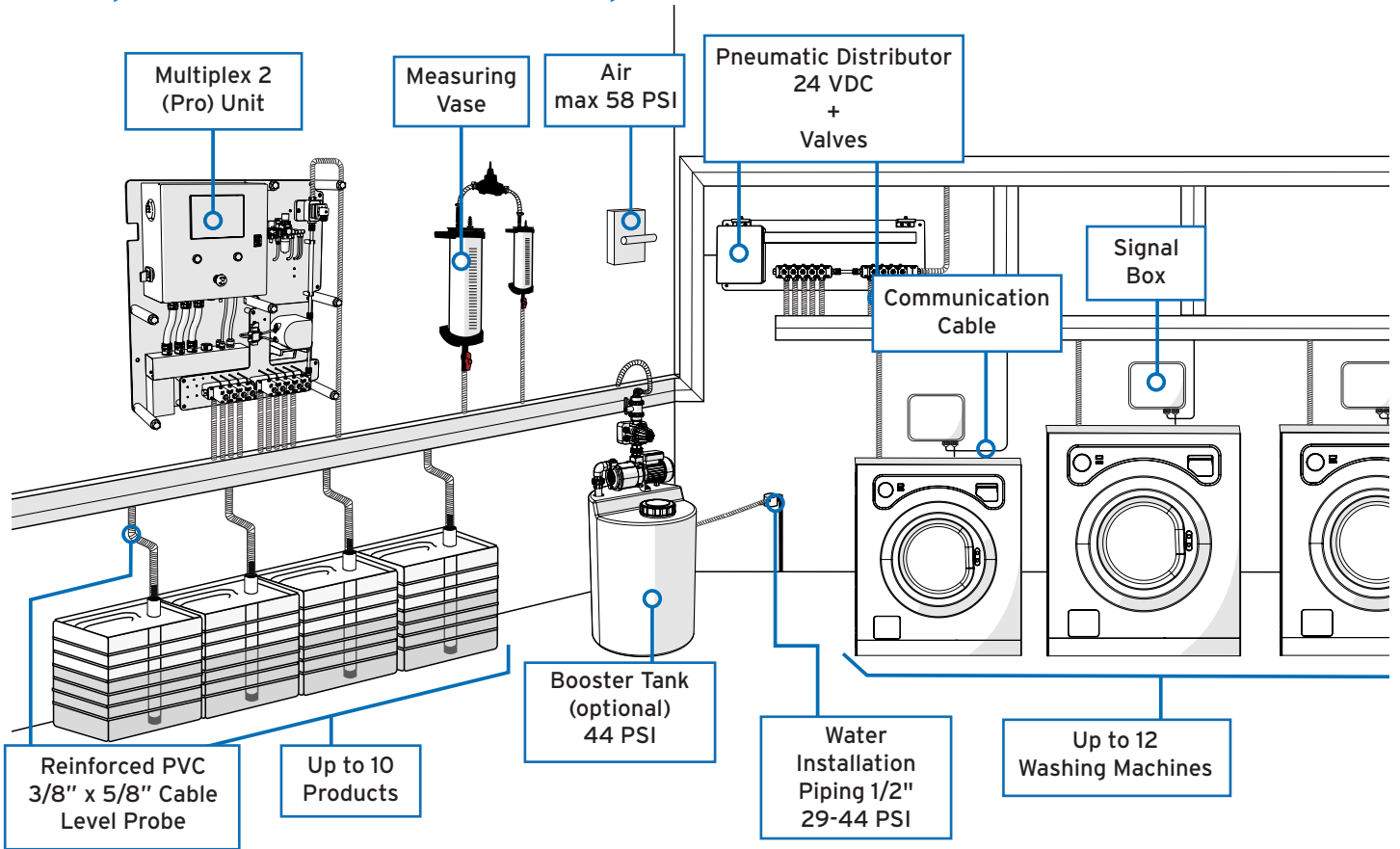
T (+1) 913-956-4909 **E** sales@brightwell-inc.com **W** brightwell-inc.com/

Brightwell Dispensers Inc. 9858 Britton Street, Lenexa, KS, 66219

All information in this data sheet is correct at the time of printing and is subject to change without notice.

Revision 1.2
07/2024
BIO78US

Example of Recommended Setup



T (+1) 913-956-4909 E sales@brightwell-inc.com W brightwell-inc.com/

Brightwell Dispensers Inc. 9858 Britton Street, Lenexa, KS, 66219

All information in this data sheet is correct at the time of printing and is subject to change without notice.

Revision 1.2
07/2024
BIO78US