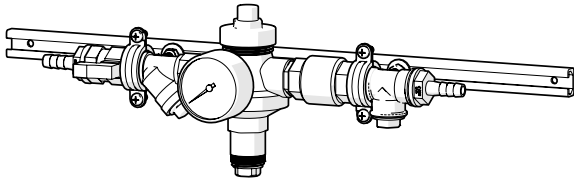




WATER INLET REGULATOR VALVE

MULTIPLEX VALVE ACCESSORY



Description

The Water Inlet Regulator Valve is designed for precise control of water flow and pressure in industrial applications. This valve ensures consistent water supply to dosing and washing systems, stabilizing inlet pressure for reliable, accurate operation. Built from high-quality materials to withstand harsh conditions, the Water Inlet Regulator Valve is essential for maintaining optimal system performance in demanding environments.

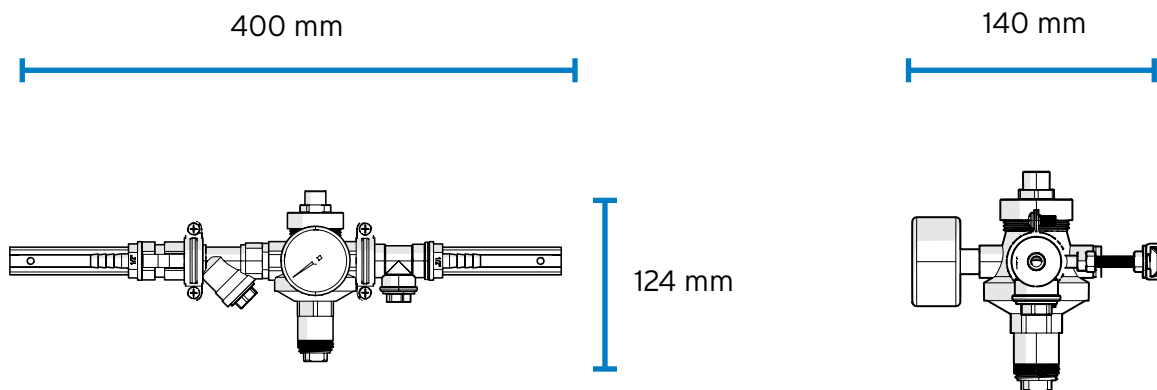
Technical Specifications

	Value
MATERIAL	PVC Brass
CONNECTOR SIZE	10mm barb
WATER PRESSURE RANGE	(Inlet) 1.5 bar - 4.5 bar (Outlet) - 3 bar regulated 10600L l/h (max)

Details

Part Code	Description	Width	Height	Depth
A500WR20	WATER INLET REGULATOR SET - 2 OUTPUTS	400 mm	124 mm	140 mm

Diagram



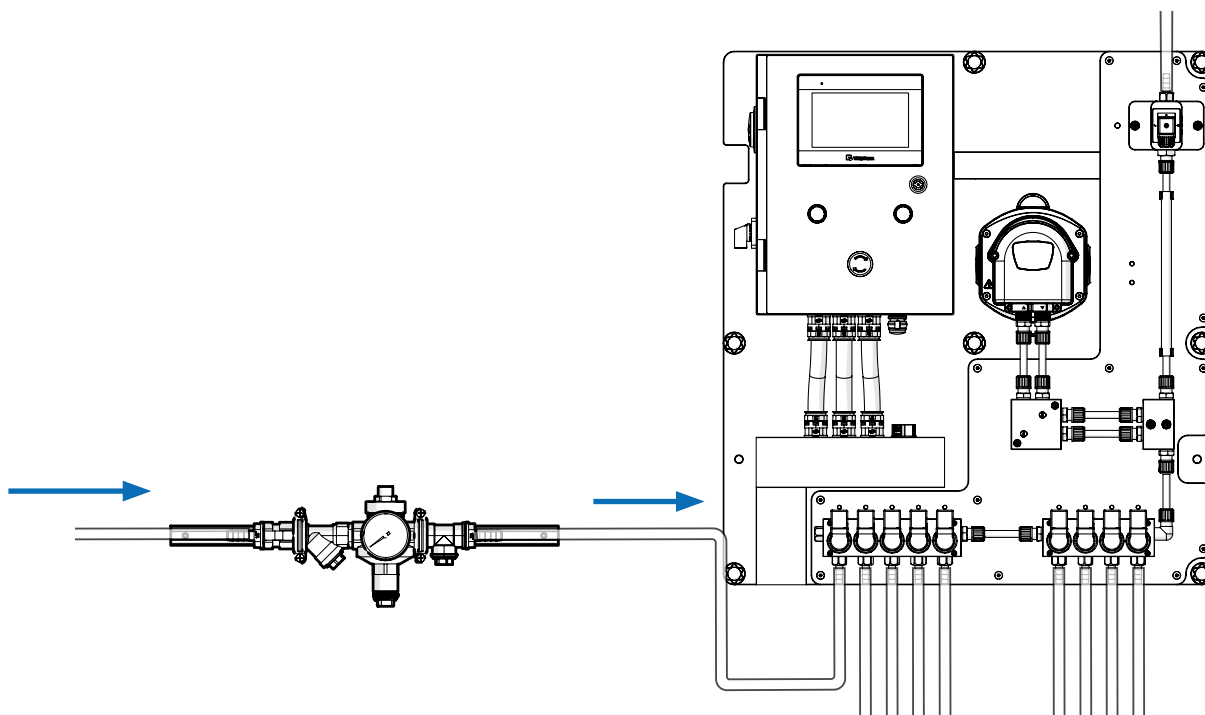
Dimensions (mm)

Width	Height	Depth
400	124	140

Weight

1.5 kg (approx)

Connection



T +44 (0) 1273 513566 **E** sales@brightwell.co.uk **W** brightwell.co.uk

Unit 9, Euro Business Park, Estate Road, Newhaven, East Sussex BN9 0DQ

All information in this data sheet is correct at the time of printing and is subject to change without notice.